

Pegasus Aqua

MRET® Evo Series Activator

Operation Manual



PEGASUS AQUA

MRET® Technology

US Patented # 6,022,479

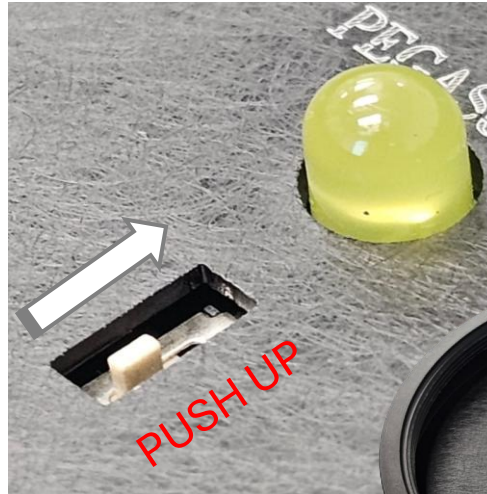




Unboxing & User Instruction



Unscrew Anti Clockwise to access inner compartment



For Travelling Usage with Battery

Kindly activate battery by simply push up the “ON” Button and enjoy both Battery or AC/240V operating option.



Plug & Use Instruction



IMPORTANT

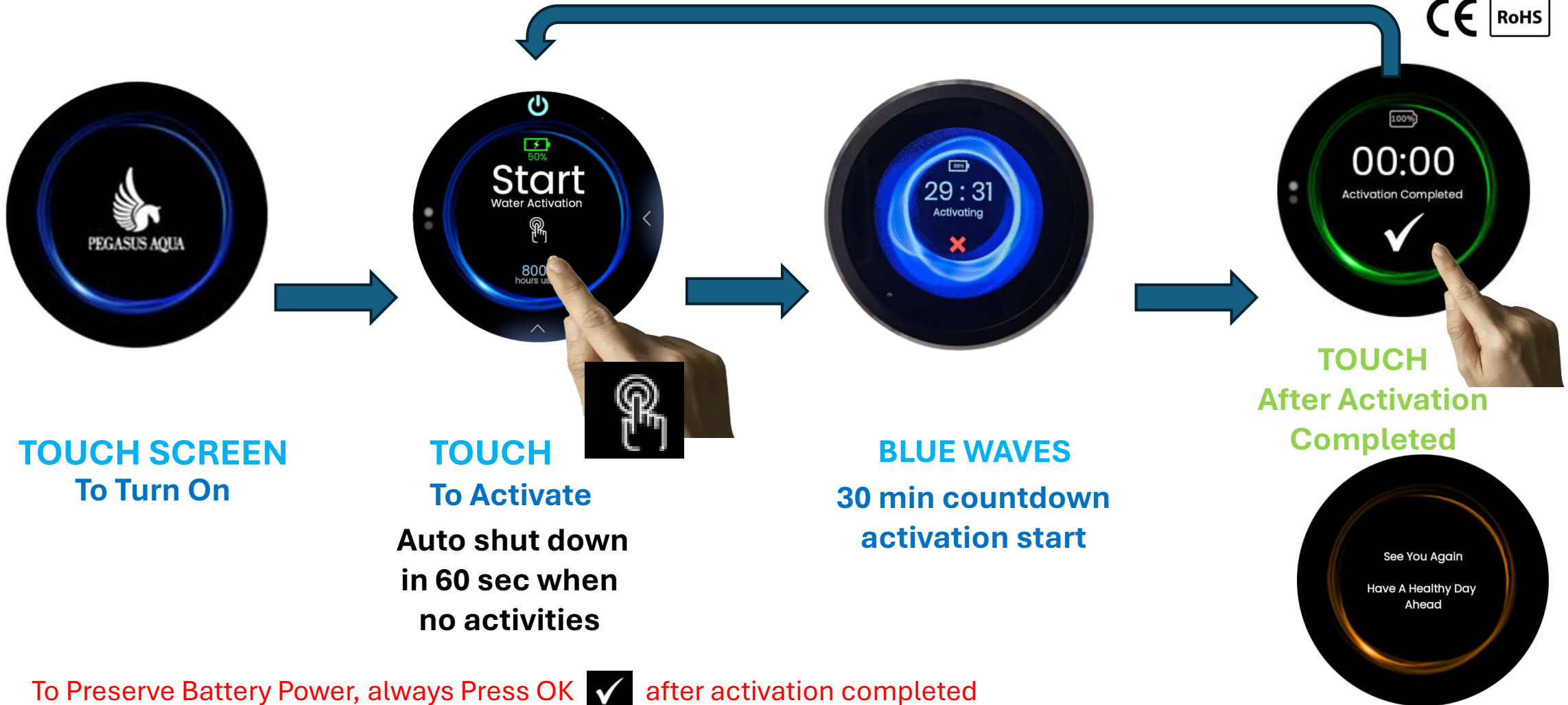
This MRET Activator are designed AC/240V **Home Use.**

For Travelling Usage

When battery power down, Please use Type “C” cable to connect to Power Bank or AC power source

Operating Instruction

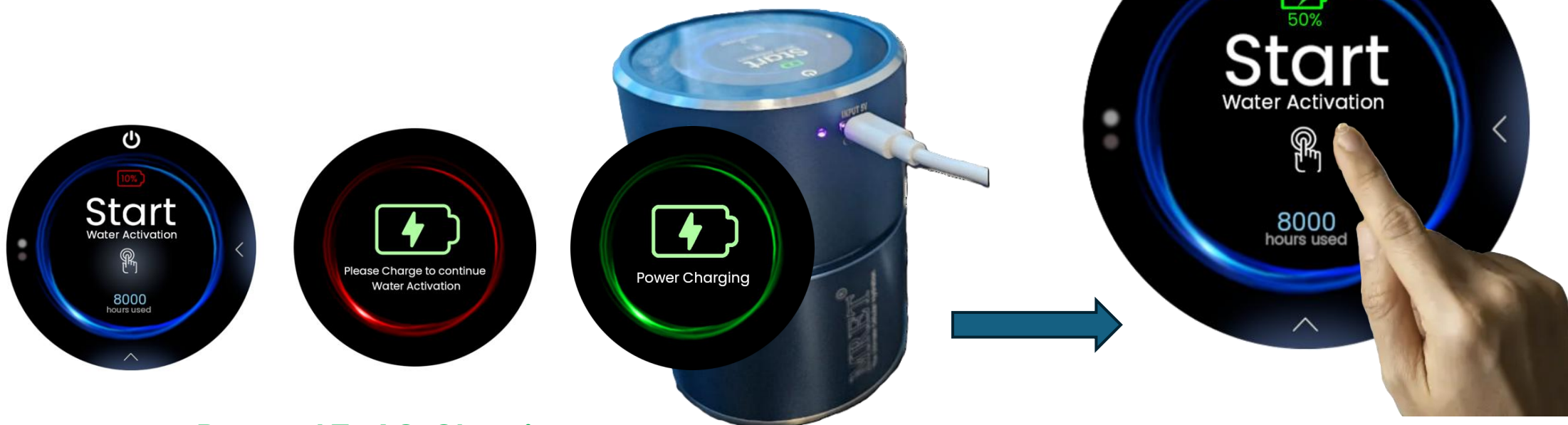
This MRET Activator are deigned for Type "C" cable use at all time on AC Power
Battery usage applies when travelling or out of AC Power range





Battery Indication: **LOW**

Battery Indication turn **RED**
Please Proceed To Charge
Plug In Type “C” Charging cable



Proceed To **AC Charging**

Plug In Type “C” Charging cable to continue activation with Power Bank or AC connection if available

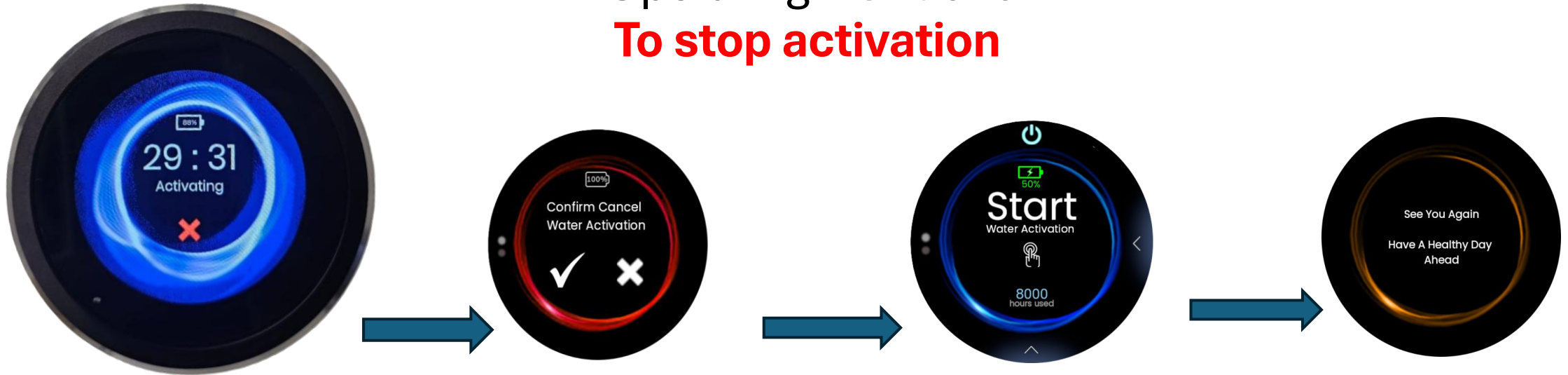
Continue to **“Start”** Activation while charging

Information Page



**Touch & Slide to page
for more Information's**

Operating instruction **To stop activation**



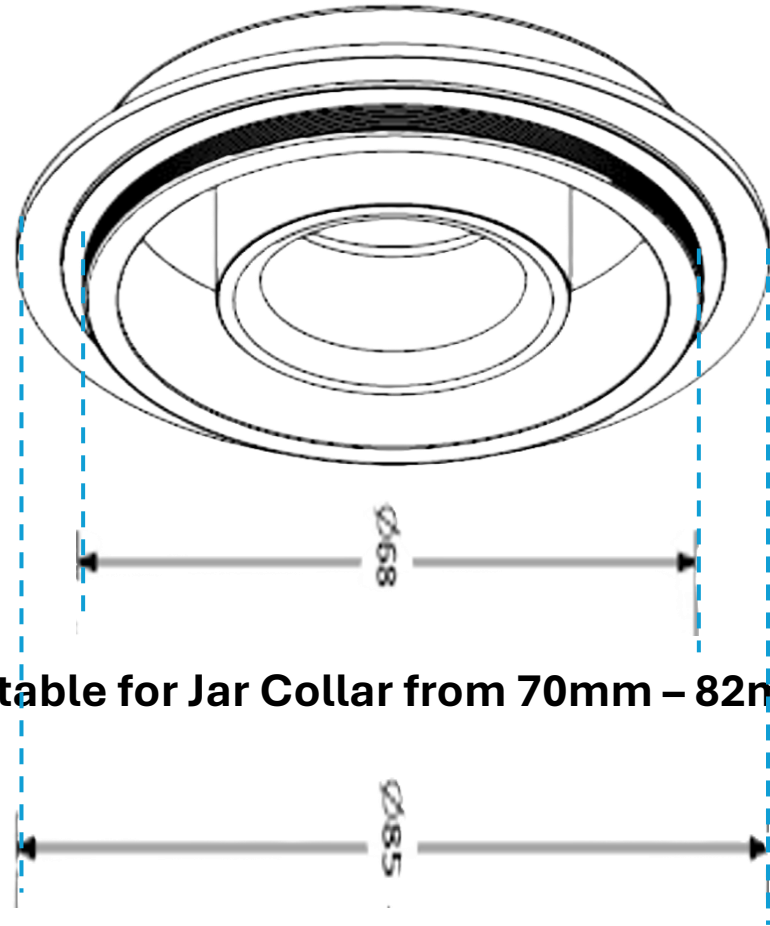
To Confirm STOP

Touch 
To Confirm STOP

Touch 
To Resume



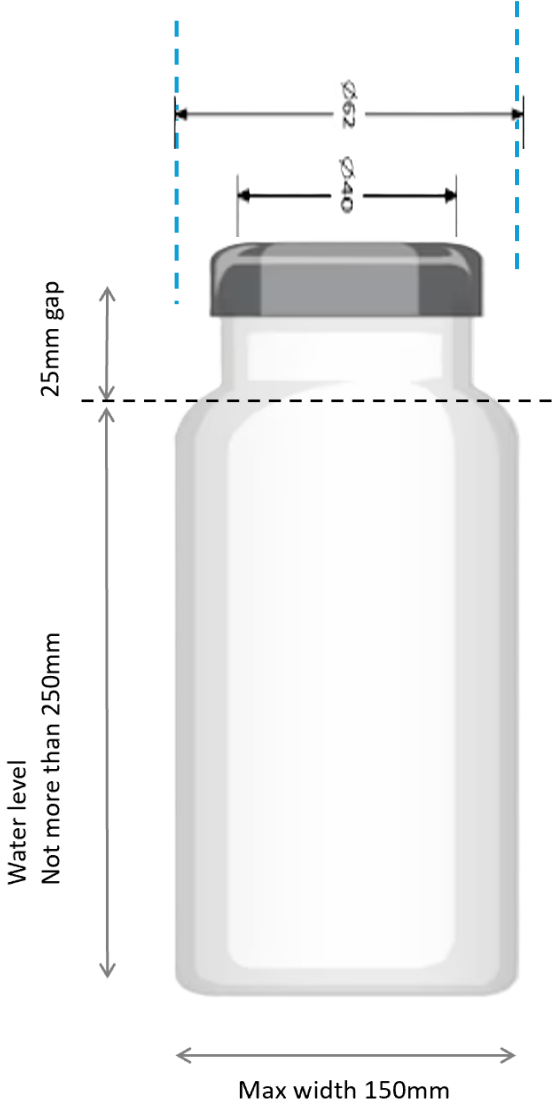
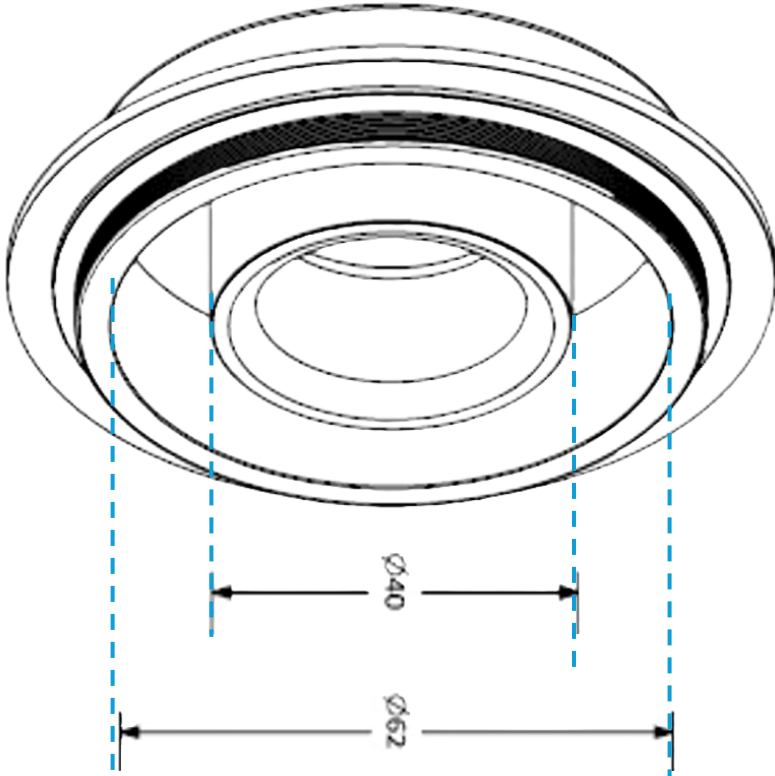
Standby Mode
Off Automatically after 60 sec
SLEEP Mode

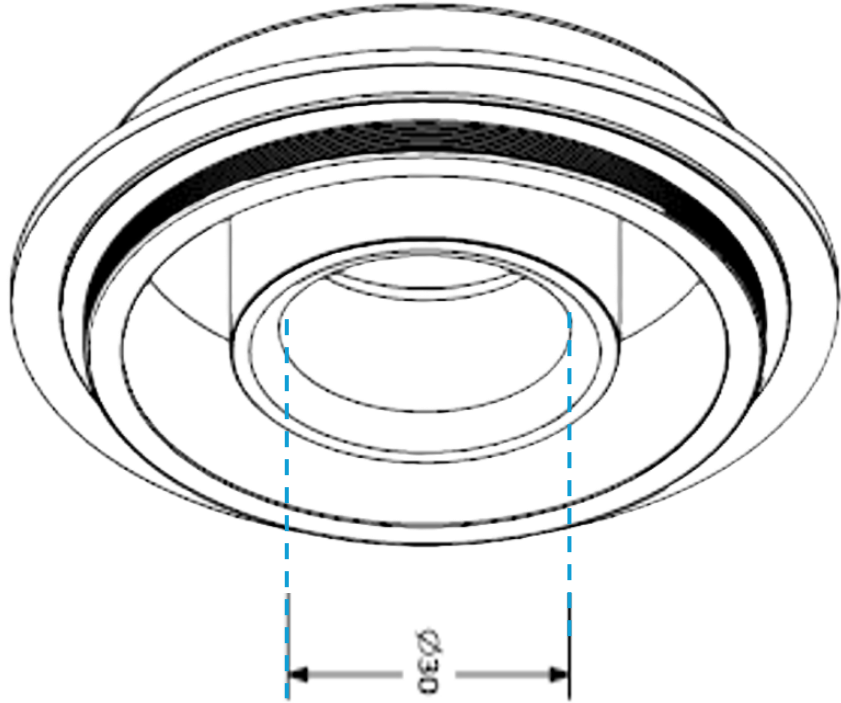


Suitable for Jar Collar from 70mm – 82mm



Suitable for Sport Bottle Collar from 42mm – 60mm





Suitable for Std Drinking Bottle Collar below 30mm



How to resonate different Liquid

RESONATING DIFFERENT LIQUIDS

It is best to use one Cold Water Jug for resonating water, and use a separate bottle for resonating different liquids.

For example, a separate bottle for oil, and another one for juice or wine.

This will prevent the odour of these liquids from remaining in the bottle and affecting the taste and smell of the next liquid to be resonated.

共振其他液体

最好使用冷水瓶来共振活化水，并使用不同瓶子共振不同的液体，例如油、酒、果汁，以防止不同液体的气味残留在瓶子中，影响下一个共振液体的味道和气味。



Important Operating Instruction



DO NOT IMMERSE THE MAIN ACTIVATOR UNIT IN WATER.

- It is best to wipe clean the bottle, the bottle cap and collars after use.
- Use Light pressure when pressing on the Activator Touch Screen.
- Periodically Dry Clean them with a clean cloth.

PRECAUTIONS

Keep the Pegasus Aqua MRET Activator unit and resonated liquids away from objects with high magnetic fields. For example, the Microwave Ovens, Internet Router's or Computers, etc.

DO NOT try to dismantle the main activator unit.

There are no user-serviceable parts in the Pegasus Aqua MRET Activator.

The warranty is immediately VOID if the unit is tampered with.

During the resonating process, **Do not place the Activator under direct sunlight.**

Ensure that the area at the bottom of the **main activation unit is not blocked or obstructed in anyway.**